

Yard Signal & Position Indicator

FEATURES

- ◆ 3 aspect LED Signal
- ◆ Switch position indicator
- ◆ Route Indicator
- ◆ Pole or wall mounting

ADVANTAGES

- ◆ Functions as a multi-purpose signal, route indicator or switch position indicator with normal or bi-directional aspects.
- ◆ Robust and designed for high reliability.

OPTIONS

- ◆ Day/ Night brightness control
- ◆ Bi- directional aspects
- ◆ Aspect configurations



DESCRIPTION

The RailComm signal is a lightweight versatile device used for displaying stop and clear aspects, route indications and switch positions in all rail yard applications.

An optional dimmer is available to automatically change the brightness between day and night operations.

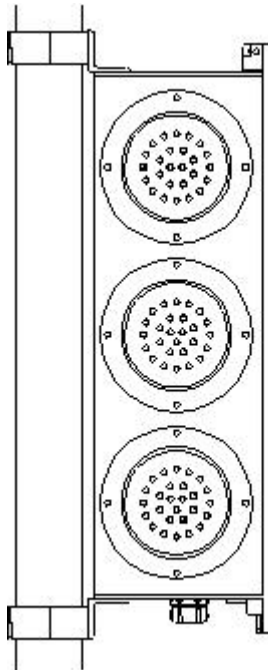
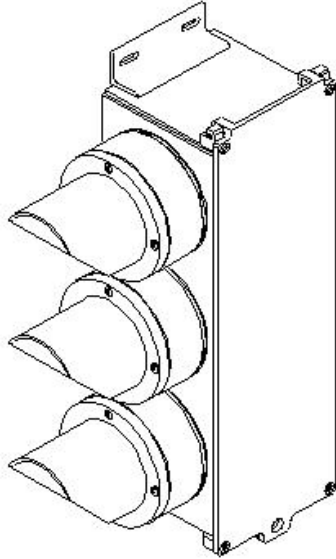
The signal is available in a bi-directional configuration for indicating switch point position. Typically a green aspect is displayed to indicate that the switch machine is lying in the normal position and yellow indicates reverse.

A variety of aspects are available to choose from. The signal is easily configurable and blanking plates are used to cover unused positions when necessary.



ATTRIBUTES

- Low current consumption
- Day and night brightness control
- Optional LED colors to choose from
- Route indication aspects available
- High impact scratch resistant polycarbonate cover protects the led assembly from damage.
- Easy change out led modules.



SPECIFICATIONS

SYSTEM SPECIFICATIONS

- Weatherproof aluminum enclosure
- Current limiting built in
- Door includes padlock hasp
- Aspect diameter 3 3/4"
- Hood length 3 3/4"

ELECTRICAL

Voltage: 9-15VDC

Current: (per aspect)
 83mA – day mode,
 55mA – night mode

OPERATING TEMPERATURE

Operates in -40°C to +85°C

DIMENSIONS

Height: 21"
 Depth: 13" (19 1/2" bi-directional)
 Width: 6"

WEIGHT

23 lbs (32 lbs bi-directional)



RAILCOMM

Toll Free (877) 724-5266

(585) 377-3360

www.RailComm.com

info@RailComm.com